

# AOC OIL COOLER ORDER FORM

## ORDER INFORMATION:

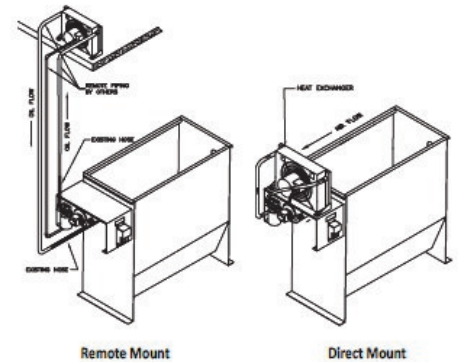
Order Date \_\_\_\_\_

Quantity	Part No.	Description	PPU	Total
	10248	Complete AOC Oil Cooler Assembly	\$ 2,079.00	

## BILLING INFORMATION:

 Customer: \_\_\_\_\_  
 Ordered By: \_\_\_\_\_  
 Billing Address: \_\_\_\_\_  
 \_\_\_\_\_  
 PO # \_\_\_\_\_  
 Phone: \_\_\_\_\_ Cell: \_\_\_\_\_  
 Fax: \_\_\_\_\_  
 E-mail: \_\_\_\_\_


## CREDIT CARD INFORMATION: (if purchasing by credit card)

 Credit Card Type  Corporate Card  Personal Card  
 Credit Card Information  Master Card  Visa  Discover  
 Credit Card Number \_\_\_\_\_  
 Full Name On Card \_\_\_\_\_  
 CVV2-Code \_\_\_\_\_ Expiration Date: \_\_\_\_\_


## SHIPPING INFORMATION: Estimated ship weight: 145 lbs

 Preferred Carrier \_\_\_\_\_  
 Shipping Method  Next Day Air - Early AM  Next Day Air  2nd Day Air  3rd Day Select  3-5 Day Ground  
 Freight Billing  Pre-Paid & Add  Collect  3rd Party  
 Shipping Address \_\_\_\_\_  
 (if different from above) \_\_\_\_\_

**This order form may be mailed, faxed, or e-mailed to:**

 MEI - 19336 607th Avenue - Mankato, MN 56001  
 Ph: 507-245-3060 - Fax: 507-245-4198 - E-mail: partsales@meiusa.com